

KLE-117i INLINE OFFSET

■ **World Headquarters:**

Knight Equipment Corp.
2945 Airway Ave.
Costa Mesa, CA 92626
BUS: (714) 557-5400
FAX: (714) 557-0527

■ **Atlanta Branch:**

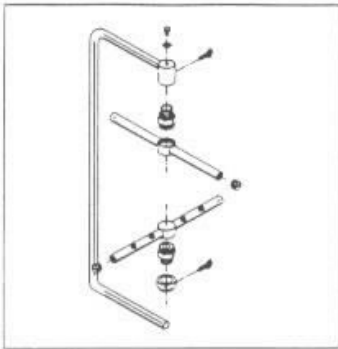
Knight Equipment Corp.
4170 JVL Industrial Park Drv.
Marietta, GA 30066
BUS: (404) 928-2118
FAX: (404) 926-8645

■ **Toronto Branch:**

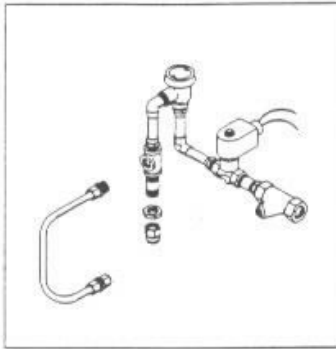
Knight (Canada) Limited.
2283 Argentia Road.
Mississauga, Ontario, Can
L5N 5Z2
BUS: (416) 542-2333
FAX: (416) 542-1536

■ **London Branch:**

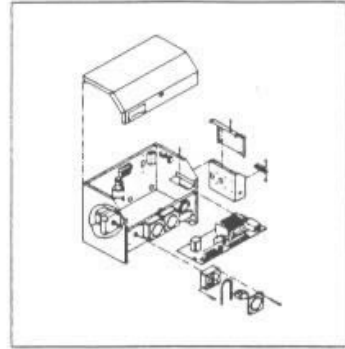
Knight Equip. Int'l LTD
#15 Brunel Centre
Newton Road.
Crawley, West Sussex.
U.K. RH102UB
FAX: 44.293-615585



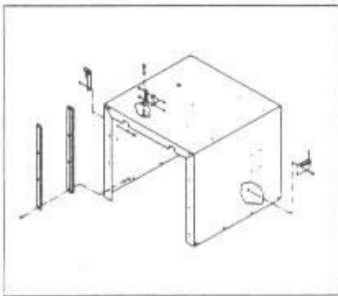
SPRAY SYSTEM



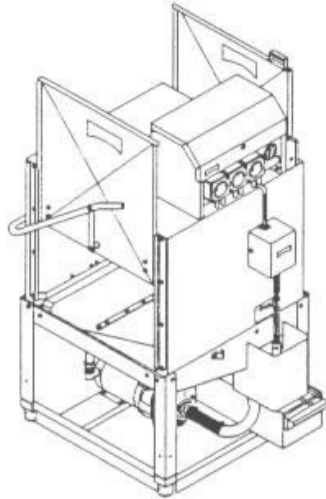
PLUMBING



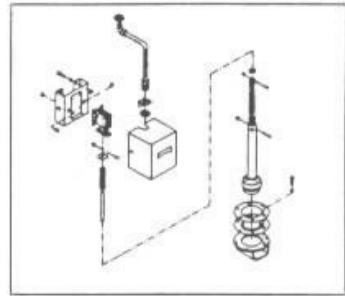
CONTROL BOX



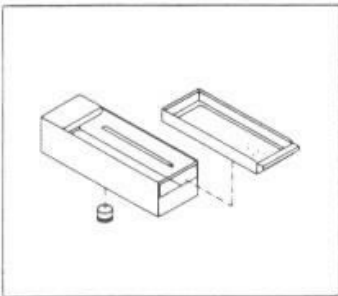
WRAPPER



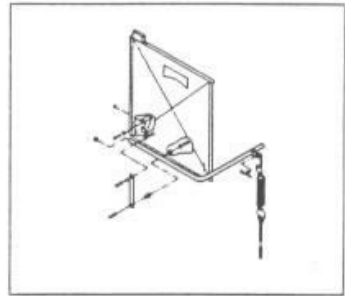
KLE-117i



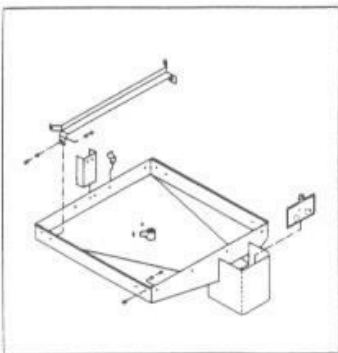
DRAIN SYSTEM



SCRAP TRAP



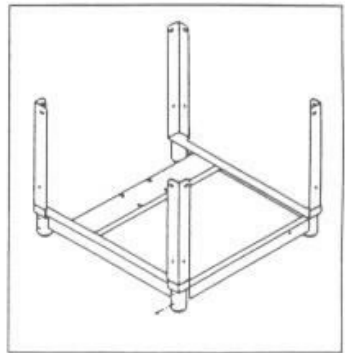
DOOR



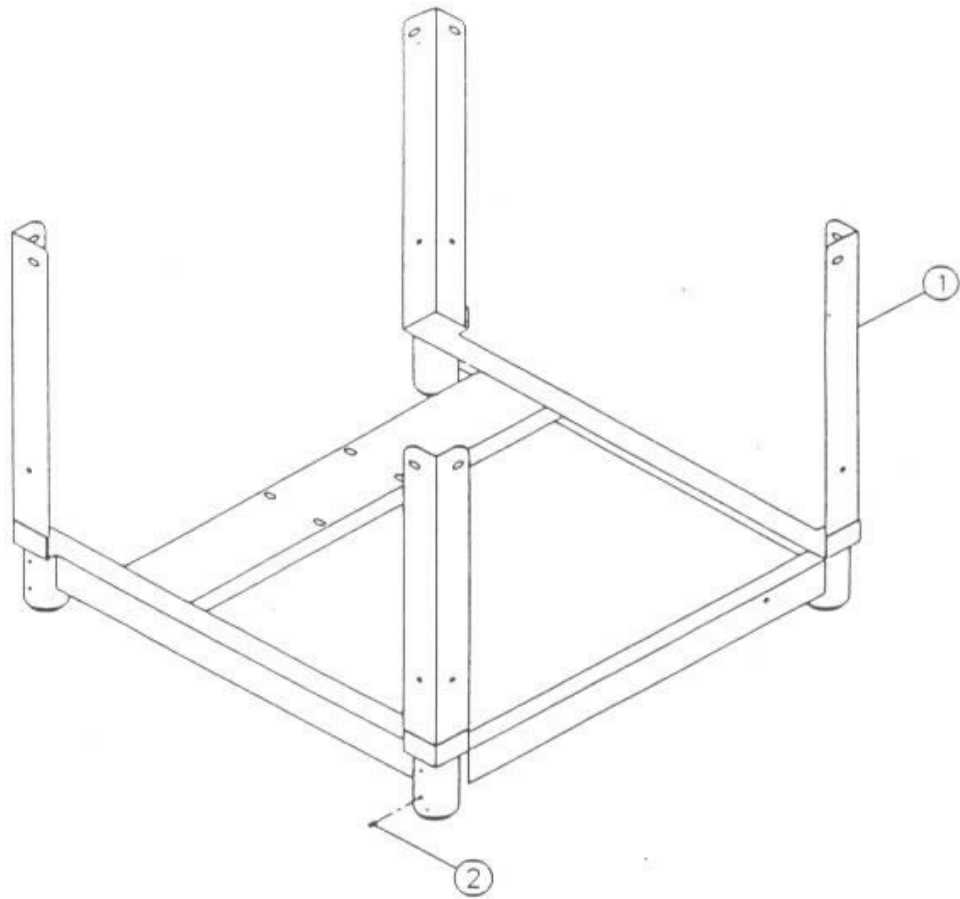
PAN



PUMP MOTOR

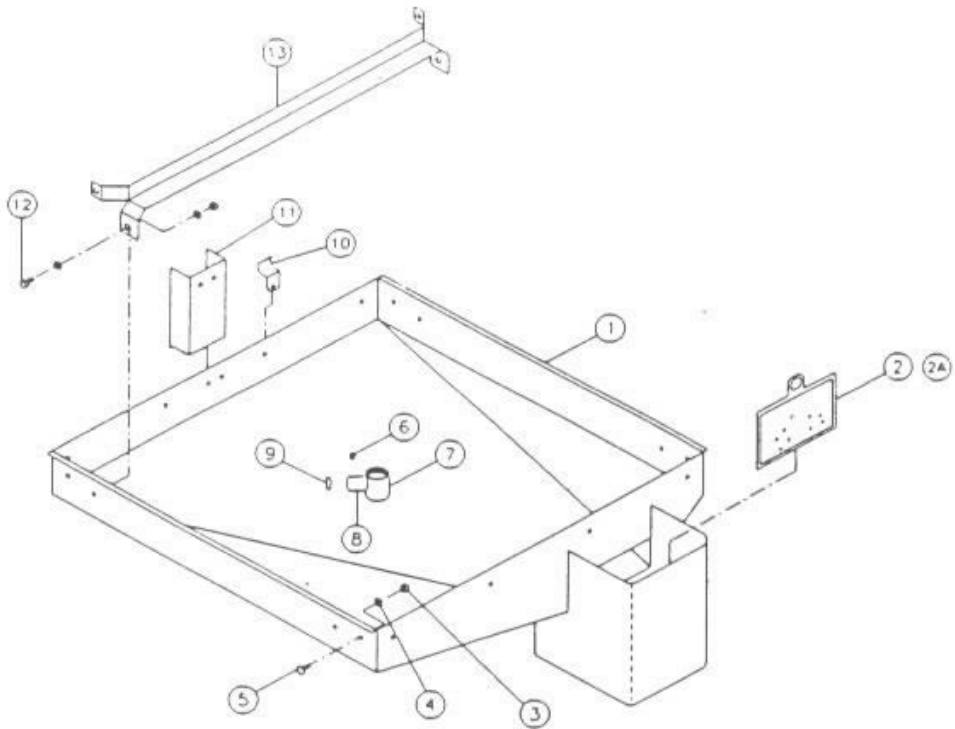


STAND



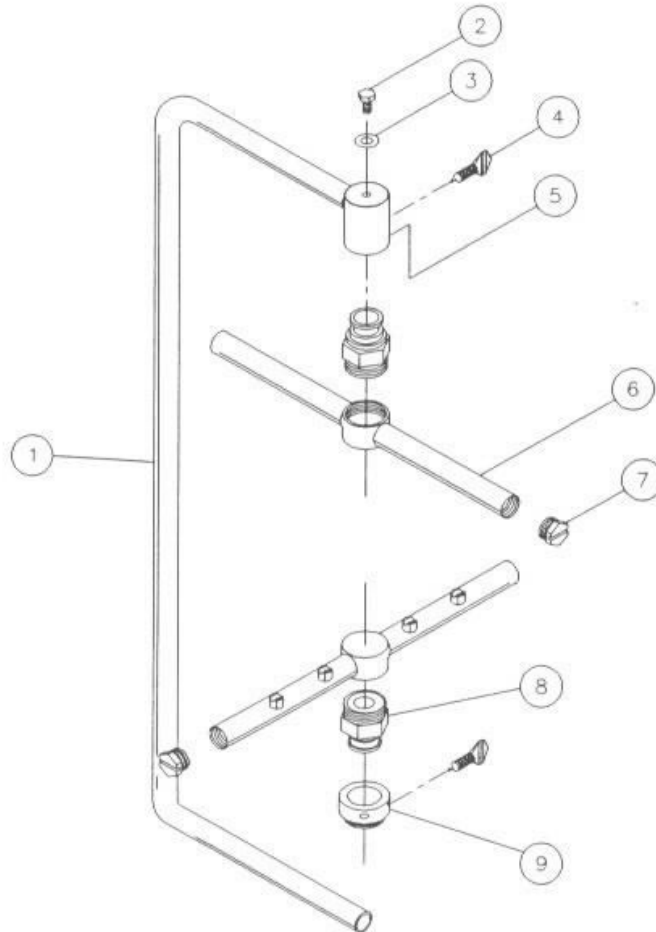
**KLE-117i INLINE OFFSET
STAND COMPONENTS**

ITEM	QTY.	PART #	DESCRIPTION
1	1	9601542	STAND ASSEMBLY
2	8	1900955	5/16-24 X 5/16" SOCKET SET SCREW



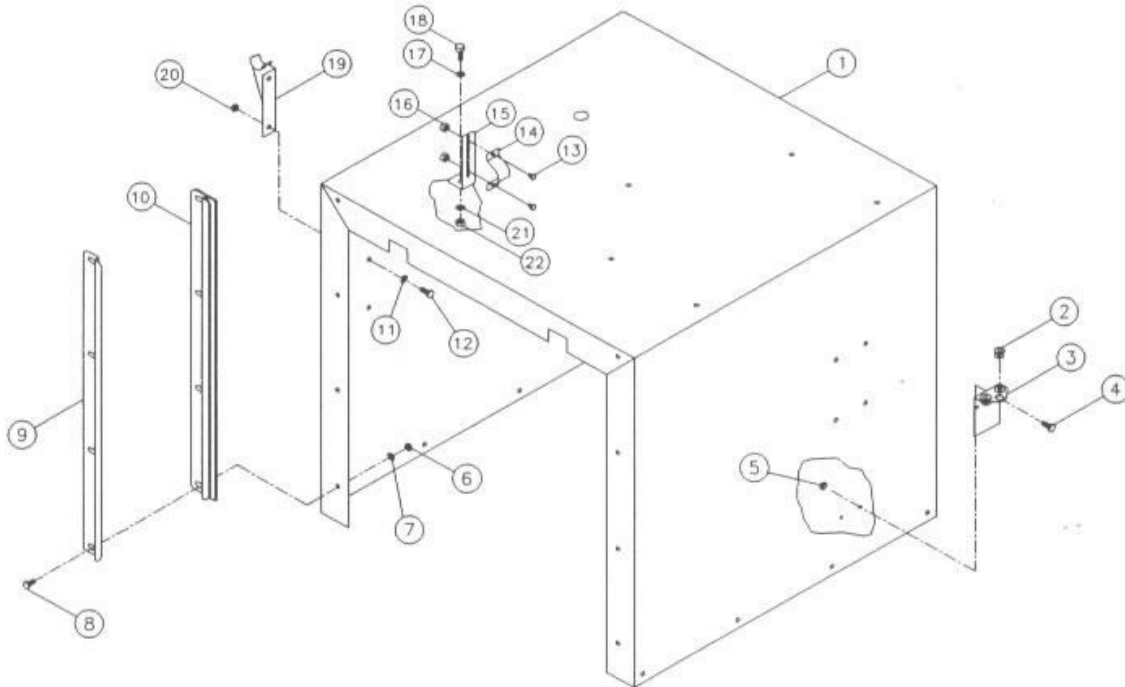
KLE-117i INLINE OFFSET
PAN COMPONENTS

ITEM	QTY.	PART#	DESCRIPTION
1	1	9602930	PAN
2	1	9601532	PUMP SUCTION SCREEN STANDARD
2A	1	9601532-G	PUMP SUCTION SCREEN GATE TYPE
3	8	1400462	1/4-20 NUT W/NYLOCK
4	12	9600421	1/4 BRASS WASHER
5	4	9600834	1/4-20 X 5/8 TRUSS HEAD BOLT
6	1	1900577	5/16-18 SQ. HEAD SET SCREW
7	1	9601862	LOWER SPRAY BASE
8	1	9601864	SPRAY BASE BRANCH
9	1	9601119	"O" RING
10	2	9600744	CONDUIT STRAP
11	1	9601892	SPRING MOUNT BRACKET
12	4	9600835	1/4-20 X 5/8 HEX HEAD BOLT
13	2	9600732	TRAY RAIL



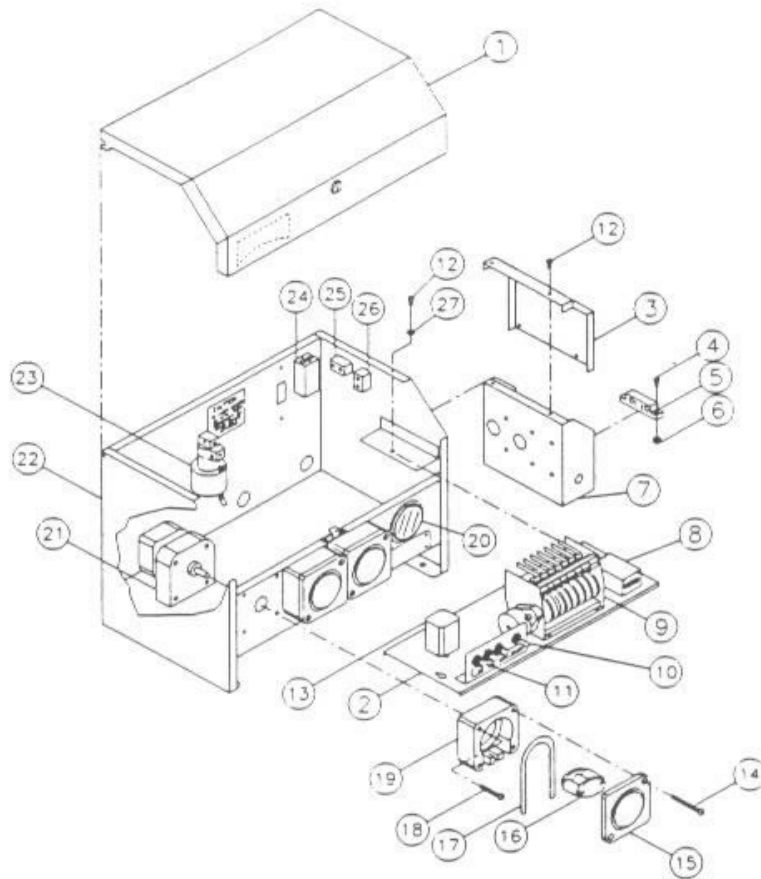
**KLE-117i INLINE OFFSET
SPRAY SYSTEM COMPONENTS**

ITEM	QTY.	PART #	DESCRIPTION
1	1	9600205	MANIFOLD
2	1	9600423	1/4-20 x 1/2 HEX HEAD BOLT
3	1	9600781	1/4 S.S. WASHER
4	3	9600431	5/16-18 THUMB SCREW
5	1	9601630	UPPER SPRAY BASE
6	2	9602202	SPRAY ARM, OVERSIZED 23"
7	4	9600417	END PLUG, SPRAY ARM
8	2	9602201	SPRAY ARM BEARING, OVERSIZED
9	1	9600203	SPRAY BASE ADAPTER



**KLE-117i INLINE OFFSET
WRAPPER COMPONENTS**

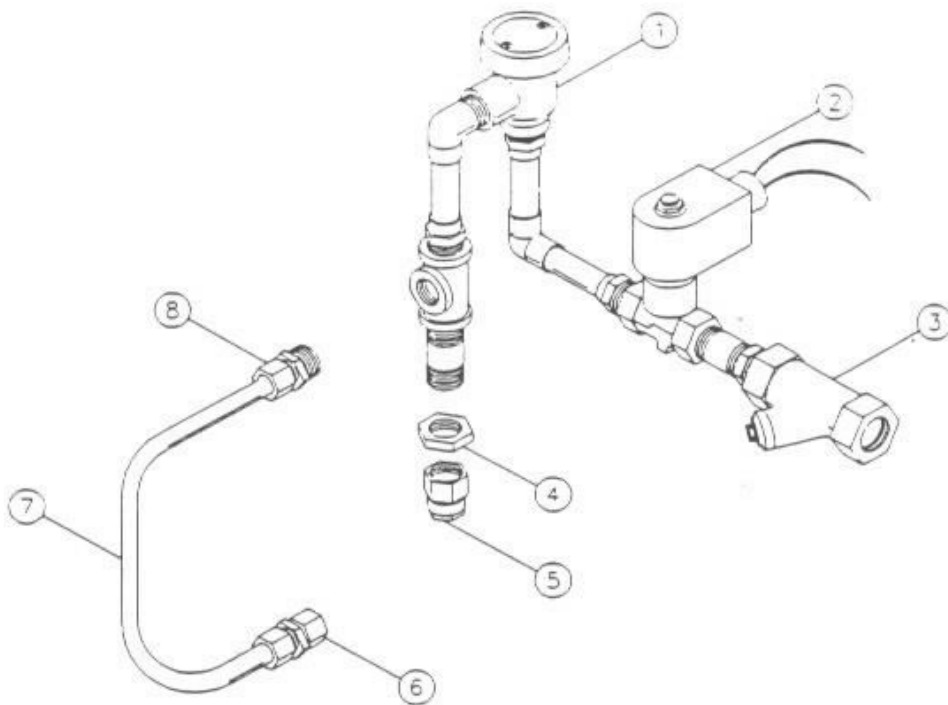
ITEM	QTY.	PART #	DESCRIPTION
1	1	9600729	WRAPPER
2	3	1900230	1/2 HEYCO BUSHING
3	1	9600563	CHEMICAL BRACKET
4	2	1900613	8-32 x 3/8 SCREW
5	2	1400461	8-32 NYLOCK NUT
6	16	1400462	1/4-20 NYLOCK NUT
7	16	9600421	1/4 BRASS WASHER
8	16	9600834	1/4-20 x 5/8 TRUSS HEAD BOLT
9	4	9600609	DOOR GUIDE
10	4	9600230	PVC DOOR GUIDE
11	6	9600421	1/4 BRASS WASHER
12	6	9600835	1/4-20 x 5/8 HEX HEAD BOLT
13	2	1900665	10-32 x 3/8 SCREW
14	1	9603057	1/2" PLUMBING CLAMP
15	1	9603048	PLUMBING SUPPORT BRACKET
16	2	1400471	10-32 NYLOCK NUT
17	1	9600781	1/4 S.S. WASHER
18	1	9600423	1/4-20 x 1/2 HEX HEAD BOLT
19	3	9600738	HANDLE SUPPORT ASSY.
20	6	1400462	1/4-20 NYLOCK NUT
21	1	9600421	1/4 BRASS WASHER
22	1	1400462	1/4-20 NYLOCK NUT



UNIVERSAL CONTROL BOX ASSEMBLY

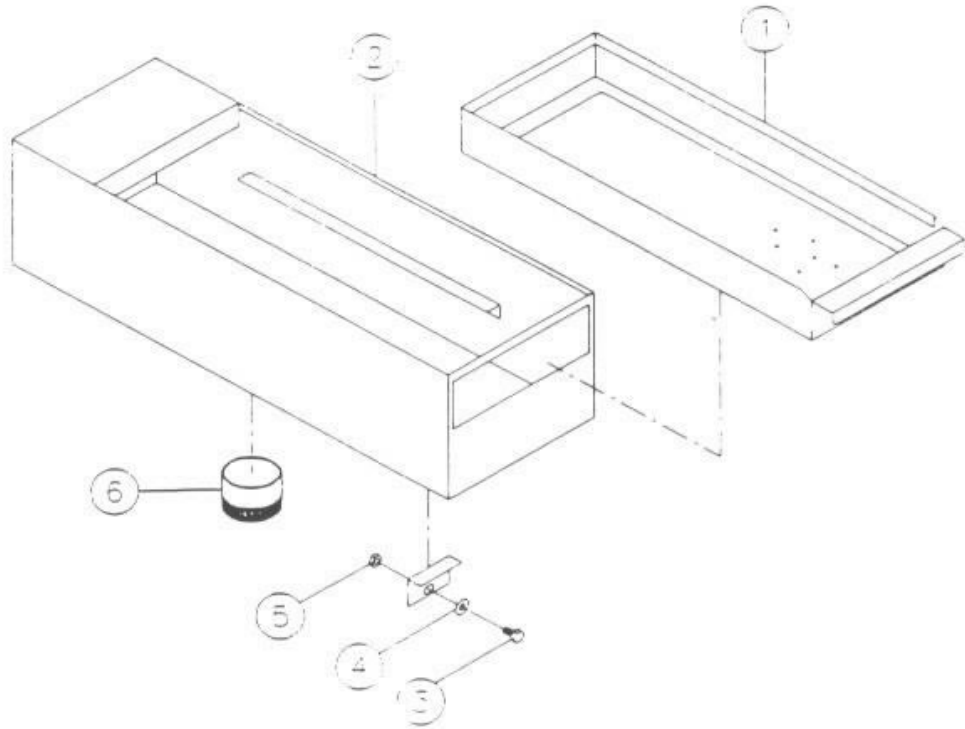
ITEM	QTY.	PART #	DESCRIPTION	ITEM	QTY.	PART #	DESCRIPTION
1	1	9600796	COVER, CONTROL BOX	15	3	7502312	FACE PLATE
2	1	9601565	ELECTRICAL SHIELD ASSY.	16	3	7503353	ROLLER BLOCK RB-550
3	1	9601525	SOL ENCLOSURE COVER	17	3	7018101	T-50-T THERMISTANT TUBE
4	2	1900615	SLOT HEAD SCREW, 8-32 x 1/2	18	6	7320195	SCREW, 10-32 x 1 1/2
5	1	9601317	REED SWITCH, AUTO START	19	3	7501311	PUMP HEAD, WHITE
6	6	1400461	8-32 NYLOCK NUT	20	1	9601975	TEMP. GAGE
7	1	9601559	SOL ENCLOSURE	21	3	7010129	MOTOR, 30 RPM
8	1	7032432	RACK COUNTER	22	1	9601549	BOX, WELDMENT ASSY.
9	1	9600102	TIMER 90 SEC.	23	1	9600103	MERCURY RELAY
10	1	7507400	TOGGLE SWITCH	24	1	9600787	SWITCH, MASTER
11	3	9600837	PRIME SWITCH	25	1	1900909	SWITCH, MOMENTARY
12	6	9600613	SCREW, 8-32 x 3/8	26	1	7507400	SWITCH, TOGGLE
13	1	9600755	DELAY, RELAY	27	2	2300778	STAR WASHER
14	6	7320196	SCREW, 10-32 x 2	28	1	9600558	LABEL, WIRE DIAGRAM <i>not shown</i>

nam-timer motor 9600104



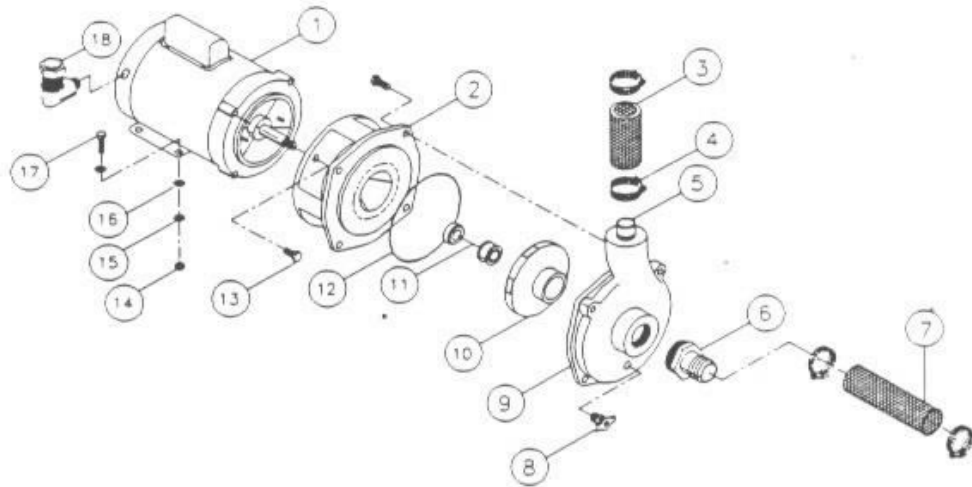
KLE-117i INLINE OFFSET
PLUMBING COMPONENTS

ITEM	QTY.	PART #	DESCRIPTION
1	1	7120102	1/2 VACUUM BREAKER
2	1	9600551	1/2 SOLENOID VALVE
3	1	9600410	3/4 NPT 'Y' STRAINER
4	1	9600768	1/2 IPS JAM NUT
5	1	9600769	1/2 SPRINKLER HEAD
6	1	9601512	1/2 COMP. x COMP. UNION
7	1	9601625	FLUSH TUBE
8	2	9600760	1/2 MPT x 1/2 COMP. TUBE ADAPTER



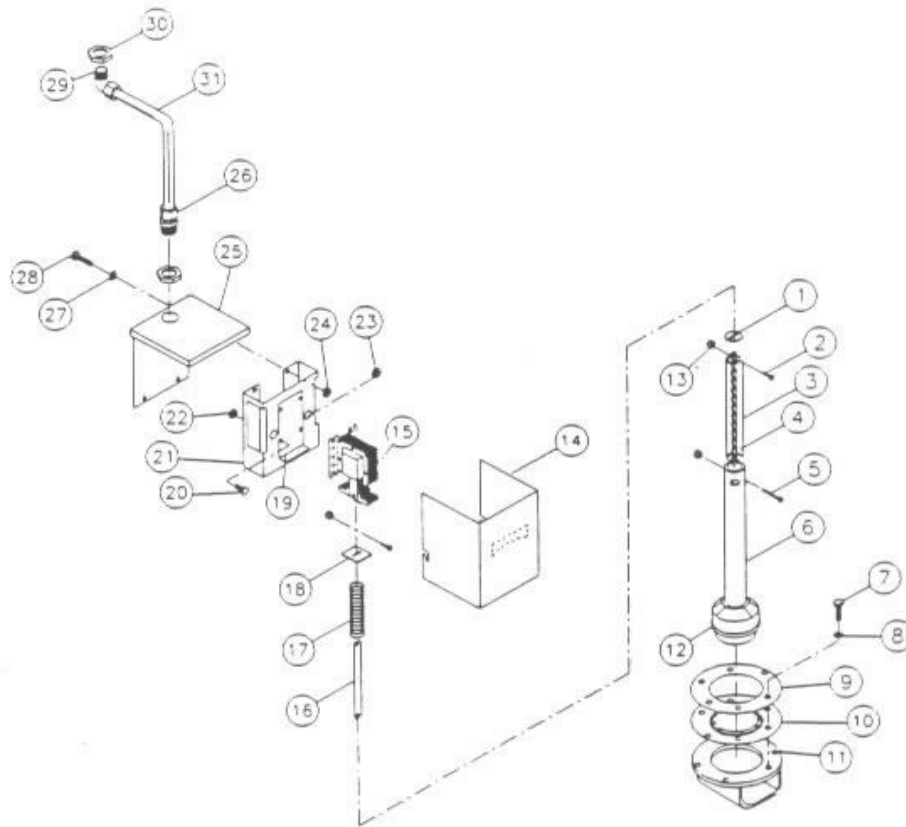
**KLE-117i INLINE OFFSET
SCRAP TRAP COMPONENTS**

ITEM	QTY.	PART #	DESCRIPTION
1	1	9601690	SCRAP TRAY
2	1	9601555	SCRAP TRAP
3	1	9600423	1/4-20 x 1/2 HEX HEAD BOLT
4	1	9600781	1/4 S.S. WASHER
5	1	1400462	1/4-20 NYLOCK NUT
6	1	9601686	OUTLET PIPE 1 1/2 NPT (REF.)



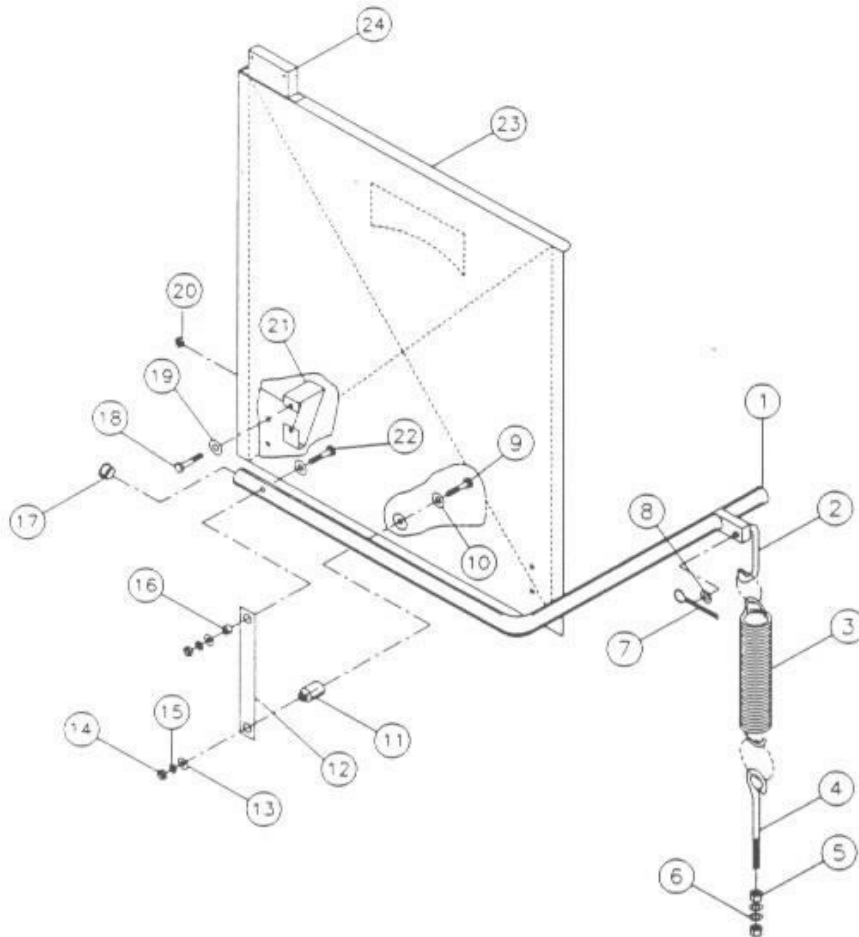
**KLE-117i INLINE OFFSET
PUMP SYSTEM COMPONENTS**

ITEM	QTY.	PART #	DESCRIPTION
	1	9601600	PUMP ASSEMBLY
1	1	9600008	1 HP FRANKLIN MOTOR
2	1	9600742	PUMP BASE
3	1	9601620-D	PUMP DISCHARGE TUBE 1 1/4 x 3 1/2 LG.
4	4	9600158	S.S. HOSE CLAMP
5	1	9601605	PUMP DISCHARGE NIPPLE
6	1	9600846	PUMP SUCTION BARB FITTING
7	1	9601620-I	PUMP FEED TUBE 1 1/4 x 6 LG.
8	1	9600478	1/4 NPT PETCOCK
9	1	9600750	PUMP FACE
10	1	9600747-I	IMPELLER
11	1	9600745	PUMP SEAL
12	1	9600748	PUMP 'O' RING
13	8	0200252	3/8-16 x 3/4 HEX HEAD BOLT
14	4	9600889	5/16-18 NUT
15	4	9600460	5/16 LOCK WASHER
16	8	9600430	5/16 S.S. WASHER
17	4	9600756	5/16-18 x 3/4 HEX HEAD BOLT
18	1	9600788	1/2 FLEX CONNECTOR 90 ELBOW



**KLE-117i INLINE OFFSET
DRAIN COMPONENTS**

ITEM	QTY.	PART #	DESCRIPTION	ITEM	QTY.	PART #	DESCRIPTION
1	1	9600451	SMALL SLOT WASHER	16	1	9600448	DRAIN SOLENOID LINK
2	2	1900615	8-32 x 1/2 SCREW	17	1	9600418	SPRING
3	1	7025885	DRAIN CHAIN SLEEVE	18	1	9600450	LARGE SLOT WASHER
4	1	9600414	CHAIN SASH	19	1	9600579	SLIDE BRACKET
5	1	9600773	8-32 x 1 1/4 SCREW	20	4	1900664	10-32 x 5/8 SCREW
6	1	9600432	DRAIN BALL ASSEMBLY	21	1	9603022-3	SOLENOID MOUNT BRACKET
7	6	9600835	1/4-20 x 5/8 HEX HEAD BOLT	22	4	1400471	10-32 NYLOCK NUT
8	6	9600421	1/4 BRASS WASHER	23	1	1900230	1/2 HEYCO BUSHING
9	1	9600777-1	GASKET, DRAIN SEAT	24	4	1400462	1/4-20 NYLOCK NUT
10	1	9600285	DRAIN SEAT INSERT	25	1	9603022-4	SOLENOID COVER, TOP
11	1	0200145	DRAIN DEFLECTOR	26	1	9600760	1/2 MPT x 1/2 COMP. FITTING
12	1	9600584	'O' RING, DRAIN BALL	27	4	9600421	1/4 BRASS WASHER
13	3	1400461	8-32 NYLOCK NUT	28	4	9600835	1/4-20 x 5/8 HEX HEAD BOLT
14	1	9603022-2	SOLENOID COVER	29	1	9600471	3/8 NPT x 1/2 COMP 90 ELBOW
15	1	9600444-1	SOLENOID	30	2	9600768	1/2 IPS JAM NUT
				31	1	9601518	CONDUIT TUBE



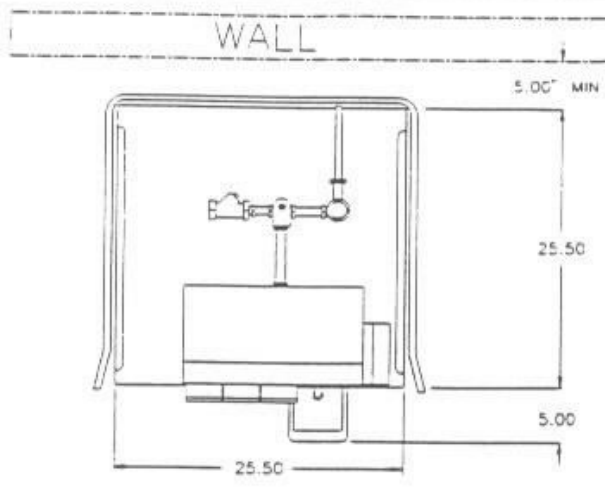
**KLE-117i INLINE OFFSET
DOOR COMPONENTS**

ITEM	QTY.	PART #	DESCRIPTION	ITEM	QTY.	PART #	DESCRIPTION
1	1	9600335	DOOR ARM ASSEMBLY	13	6	9600781	1/4 WASHER
2	1	9600739	EXTENSION ROD	14	4	9600437	1/4-20 ACORN NUT
3	1	9600416	SPRING	15	4	9600774	1/4 SPLIT LOCK WASHER
4	1	9600502-7	5/16-18 x 7 EYE BOLT	16	2	9600819	SPACER
5	2	9600889	5/16-18 HEX NUT	17	2	0800375	HOLE PLUG
6	2	9600430	5/16 FLAT WASHER	18	8	9600423	1/4-20 X 1/2 HEX HEAD BOLT
7	1	9600419	COTTER PIN	19	10	9600421	1/4 BRASS WASHER
8	2	9600430	5/16 FLAT WASHER	20	8	1400462	1/4-20 NYLOCK NUT
9	2	9600641	1/4-20 x 1 1/4 HEX HEAD BOLT	21	4	9600543-1	DOOR STOP/TRAY GUIDE
10	10	9600421	1/4 BRASS WASHER	22	2	9600436	1/4-20 x 1 1/2 HEX HEAD BOLT
11	2	9600843	PIVOT (LINK)	23	2	9600799	DOOR
12	2	9600741-B	DOOR LINK	24	1	9601722	MAGNET MOUNT BRACKET

KLE-117i INLINE OFFSET

ACCESSORY KIT

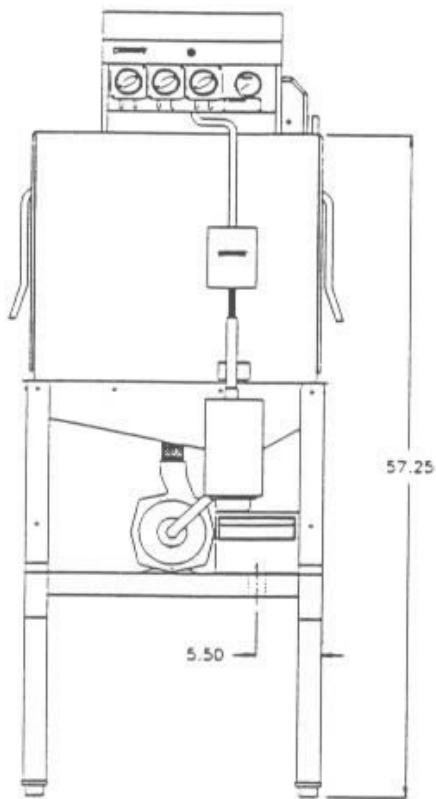
PART #	QTY.	DESCRIPTION
7020182	3	PICK-UP TUBE 1/4 PVC PIPE x 18" LG.
9600721	1	TUBING 1/4 OD x 20' LG. RED
9600722	1	TUBING 1/4 OD x 20' LG. BLUE
7028109	1	TUBING 1/4 OD x 20' LG. CLEAR
9601901	4	LEG EXTENSION
9600758	4	BULLET FEET
9600431	1	THUMB SCREW
0300121	6	CABLE TIES 3 1/3"
9600417	1	END PLUG
N/A	1	CAM WRENCH
9600475	1	INSTRUCTION MANUAL



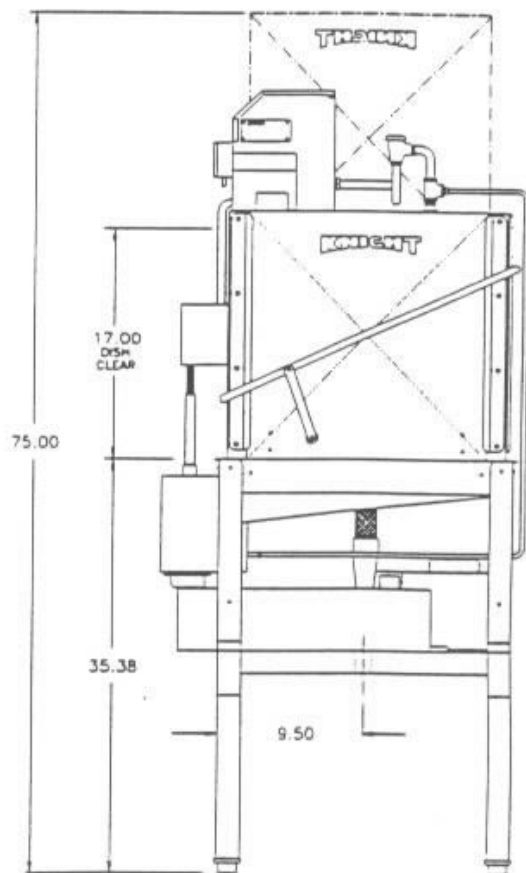
TOP VIEW

KNIGHT
EQUIPMENT CORP.

KLE-117i
INLINE OFFSET



FRONT VIEW



RIGHT SIDE