

DEMA®



AURORA

Laundry System

DESIGNED FOR THE FUTURE



DEMAENG.COM

AURORA OPL AND COMMERCIAL APPLICATIONS



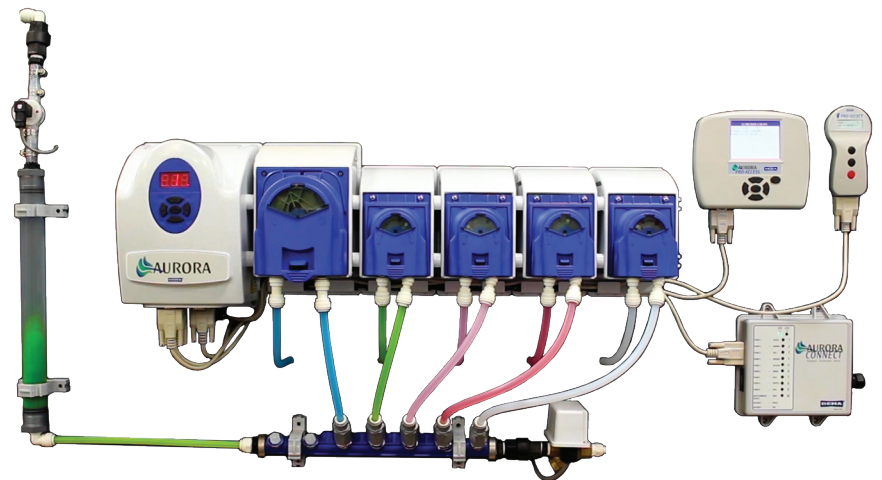
Aurora is forward thinking, next generation laundry dispensing technology from DEMA. Aurora is designed for programming simplicity using Bluetooth technology for iPhone, iPad, Android devices and PC integration. Use your smartphone, tablet, or PC to write and store programs, get service reports and access data from the Aurora Pro-Access interface module. Aurora retains the best features of DEMA's legacy dispensers such as quick change pumps and durable pump gear motors.

Aurora is a dispenser beyond the ordinary:

- 🟡 Expandable, up to 10 pumps or 9 pumps with a flush valve
- 🟡 DIN rail mounting for quick, accurate installation
- 🟡 On-board programming using the Pro-Access or app programmable from iPhone & Android devices
- 🟡 Robust data management including chemical usage, cost, load counts, shift reports, invoicing, and more
- 🟡 Various squeeze tube options to handle virtually any chemistry, EPDM is standard
- 🟡 Out-of-product sensor ready

Common Configurations*	# of Pumps
861.L4J.V0	4
861.L5J.V0	5
861.L6J.V0	6

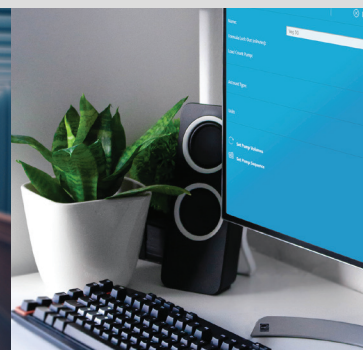
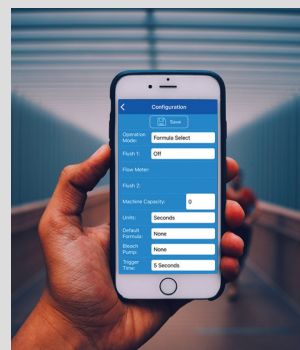
* Options for flush valve, squeeze tube fittings, pump sizes all available. Contact your Sales Manager or DEMA Customer Service for additional information.



DEMA CONNECT SMART DEVICE APP



Introducing the DEMA Connect app for Apple, Android, and Windows 10 PCs. DEMA Connect is designed for programming, reporting, and general interfacing with an Aurora dispenser.



AURORA TOOLS OF THE TRADE

AURORA CONNECT *Laundry Machine Interface*

Aurora Connect provides the trigger signal interface to the laundry machine and keeps high voltage at the machine.

PRO-ACCESS *Laundry Machine Controller*

Controls up to eight pump stands, Pro-Access is a full color display programmer and data management module. Durable and splash resistant, Pro-Access connects via bluetooth to smartphones, tablets, and PCs through the DEMA Connect app, making programming and data management fast and effective.

PRO-SELECT *Formula Selector Remote*

This optional Pro-Select is a digital display formula selector ideal for applications where the Aurora or Pro-Access is not readily accessible.



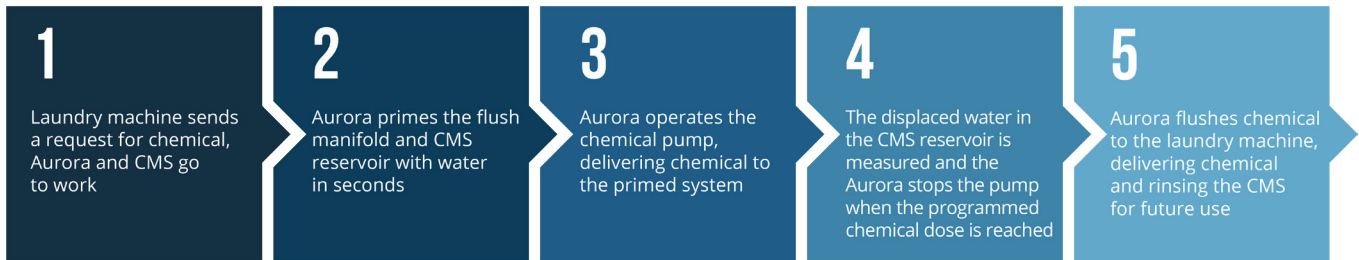
AURORA CMS ACCURATE DOSING EVERY TIME

CMS measures water displacement when each chemical is dispensed into the system. Accuracy is achieved by only measuring water with the flow meter and automatically adjusting dispensing time as the squeeze tubes wear for a precise dose.



CMS Configurations	Outlet Fitting
86F.AJ5	3/8" John Guest
86F.AB5	1/2" Barb

CMS HARD AT WORK



DEMA Connect goes beyond programming, with the app you can:

- Create service reminders and reports for squeeze tube reminders and preventive maintenance routines
- Customize product and formula names
- General printable reports for end-user invoicing
- Share formulas, programming, and reports
- Connect to dispenser for alerts on out-of-product alarms and maintenance history

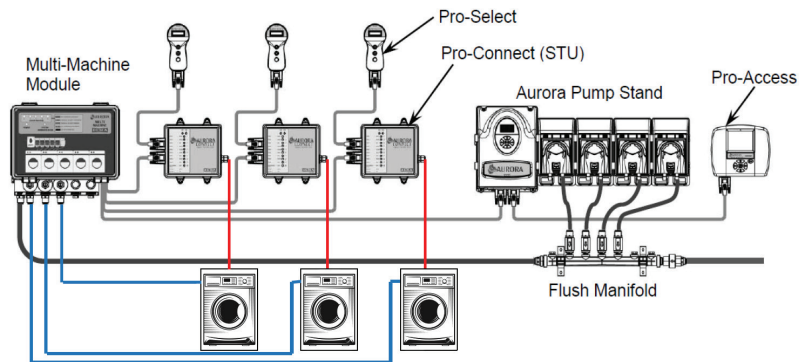
AURORA DESIGNED TO CONTROL UP TO 5 LAUNDRY MACHINES



The optional Multi-Machine module increases the functionality of Aurora, making it capable of operating up to 5 laundry machines, saving valuable space, installation time, and cost. Only one Aurora laundry dispenser & Pro-Access is required. Each washer operates with it a dedicated Aurora Connect and Pro-Select. All features and benefits of Aurora are available with Aurora Multi.



Multi Configurations	Laundry Machines
86M.3AAJ.0	3
86M.4AAJ.0	4
86M.5.AAJ.0	5



- ⬡ Splash-proof enclosure contains all electronics and distribution manifold for simple plug and play installation
- ⬡ Aurora Multi can be mounted near laundry machines and away from pump stands and chemical, simplifying set up, reducing components, creating a clean and convenient install
- ⬡ Works seamlessly with optional Chemical Measurement System
- ⬡ Cost savings are quickly realized, saving up to 40% compared to installing individual dispensers to each laundry machine
- ⬡ Designed to work with new or existing Aurora dispensers



10020 Big Bend Rd.
St. Louis, MO 63122 U.S.A.
Tel: 800.325.3362
Fax: 314.965.8319

demaeng.com
sales@demaeng.com